



# Post bases

## 10980.0080

Innovative wood connection systems for highest requirements.



## Post bases Right / left threaded

# PTP easy post base 10980.0080

A system for all applications! Threads of 20 to 30 mm and the most varied plate sizes with 6 to 15 mm material thickness - we have the perfect solution for any application. Lift-off and lateral impacts can be counteracted with a straight screw connection into the cross-grained wood using fully-threaded 10 x 120 mm wood screws (with European Technical Approval) or a strut or lateral latches. Of course, post bases of the right/left-threaded system are still height-adjustable when mounted and under heavy load. The use of additional lock nuts increases the rigidity of the connection.

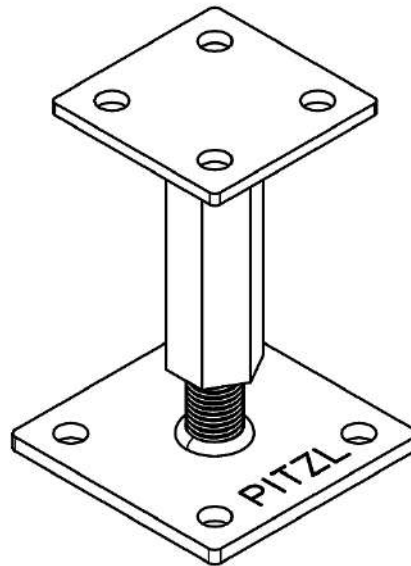
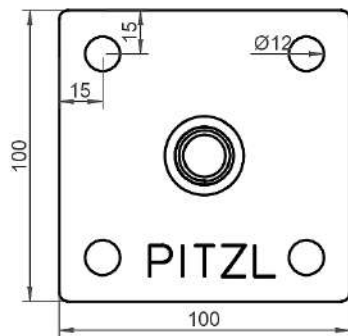
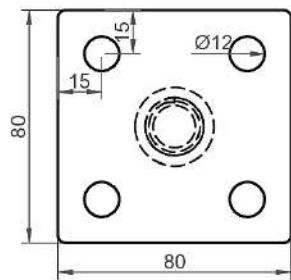
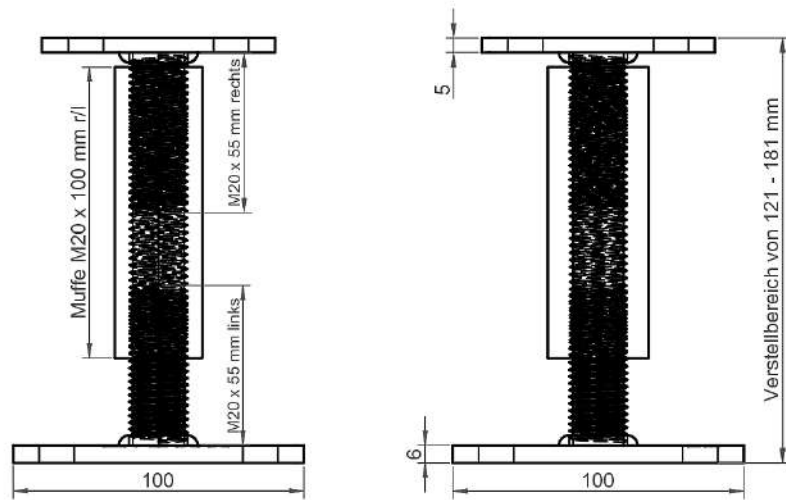
Standard version with square upper plate.



Upper plate mm	80 x 80 x 5
Lower plate mm	100 x 100 x 6
Thread, M20 low.	55
Thread, M20 upp.	55
Borehole Ø 12 mm bottom	4
Borehole Ø 12 mm top	4
Installation height mm	121 - 181
max. characteristic pressure bearing capacity (kN) *	34,1 **
Suitable cover sleeve item no. 10832.____	.0000

## Post bases Right / left threaded

# PTP easy post base 10980.0080



## Post bases Right / left threaded

# PTP easy post base 10980.0080

### Static values

Direction of force	max. height (mm)	Timber $\gamma_M$ (kN)	Steel $\gamma_{M,1}$ (kN)	Steel $\gamma_{M,2}$ (kN)
F <sub>1</sub> Compression	180	62,4	54,0	34,1

Characteristic values according to Eurocode.

Further static values can be found in our design manual at [www.pitzl-connectors.com/en/downloads](http://www.pitzl-connectors.com/en/downloads)

### Accessories

Item no.	Description
99210.1012	Washer-head screw 10 x 120 mm
10832.0000	Cover sleeve for thread M20 Adjustment range: 100 - 185 mm